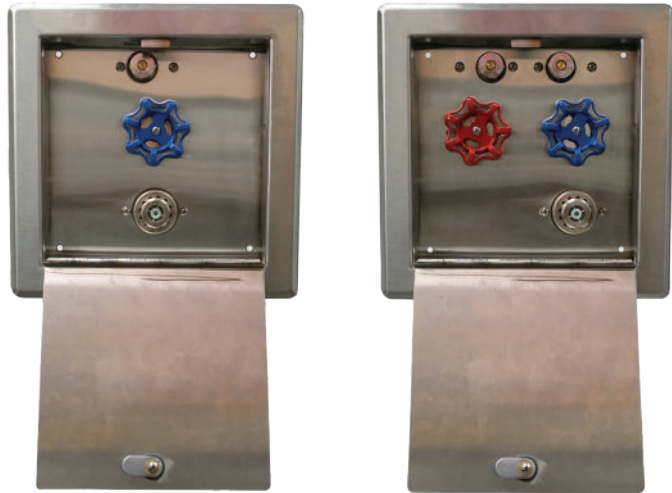




P-623 & P-628 Narrow Wall Hydrant



MasterSpec®



Narrow Wall Commercial Valves

The PRIER P-623 and P-628 Narrow Wall Commercial Wall Hydrants are built for interior walls and non-freezing/mild climate applications. Great for healthcare facilities, institutions, stadiums, swimming pools, and other large recreational areas.

The P-623 is single temperature while the P-628 features both hot & cold inlets. Both valves come with a lockable, stainless-steel box, offer a variety of installation options, and have integral shutoffs for simple future maintenance. They are designed to last the life of the plumbing system. No special installation tools are required.

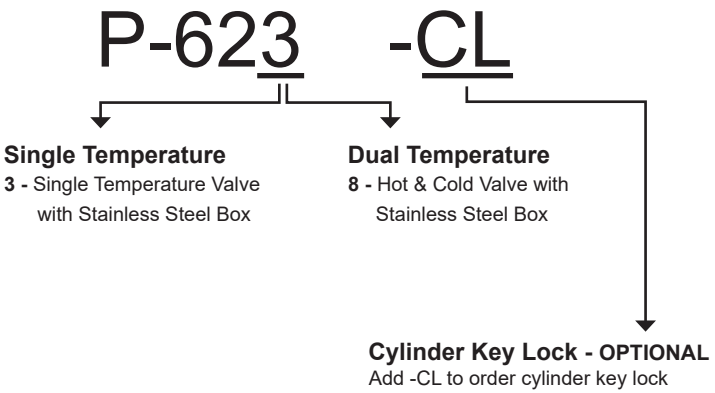
- Anti-Siphon
- Commercial / Industrial
- Hot & Cold Mixing

FEATURES

- Narrow Wall Installation-valve, piping & box fit inside standard 4" wall
- High flow rate, 8 GPM at 25 PSI Δ pressure
- ASSE 1052 double check, UPC and cUPC listed & labeled
- Lead-Free NSF 372 listed & labeled
- 3/4" FPT inlet connections x 3/4" GHT outlet
- Full-sized handles for easy operation
- Removable handles for loose-key operation
- Designed to last the life of the plumbing system
- Four mounting holes on backplate for secure installation
- Single and multi-temp valves are available
- 18 gauge 304 stainless steel box
- Adjustable box depth for use with different depth wall finishes
- No visible fasteners when door is closed
- Cylinder key lock option, cam lock standard
- Valve and box orientation options
- Integral screwdriver stops for simple future maintenance

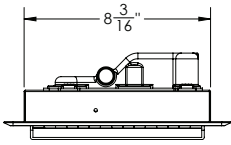
ORDERING

Wall Hydrant with Box

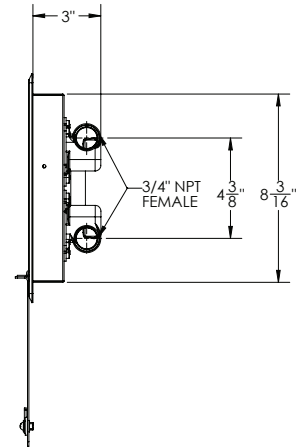
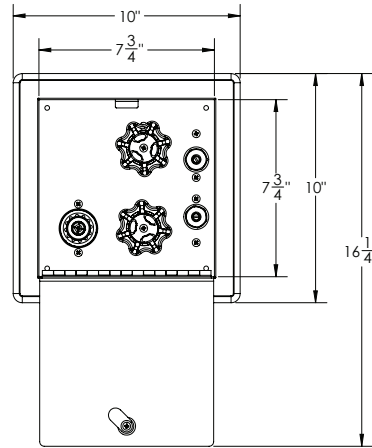
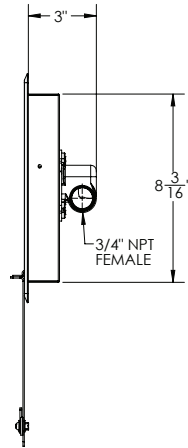
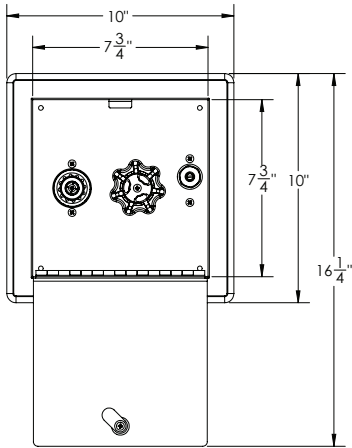
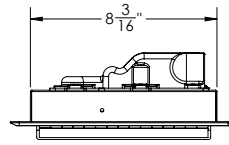


ROUGH-IN DIMENSIONS

P-623



P-628



SPECS

Furnish and install model P-623 Single Temperature Narrow Wall Hydrant or P-628 Hot & Cold Narrow Wall Hydrant (choose one) manufactured by PRIER Products, Inc. Inlet connections shall be 3/4" FPT. Hydrant flow shall be a minimum of 8 GPM at 25 PSI differential and activated with operating handle(s), with an option for loose-key operation. Hydrant shall incorporate screwdriver shutoffs for incoming water and be maintainable without shutting down building water. Hydrant shall be serviceable from the front of the valve. Hydrant shall be approved and listed to ASSE 1052, ASSE NSF 372 and cUPC Standards. Valve box shall be stainless steel with a minimum thickness of 18 gauge with a hinged cover. Hydrant box cover should be adjustable for both depth and orientation for ease of installation. Installed depth of the hydrant and box should be no more than 3 1/8".